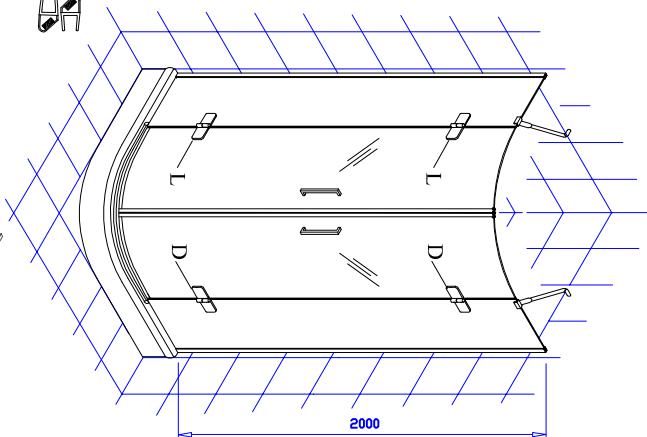
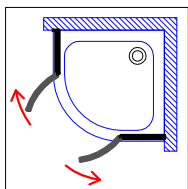
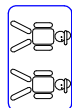
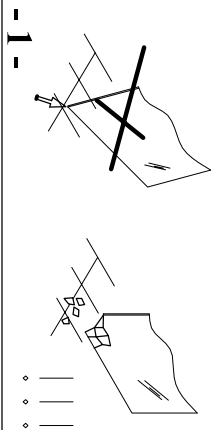
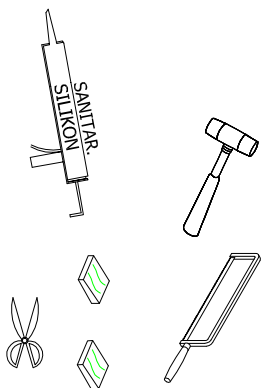
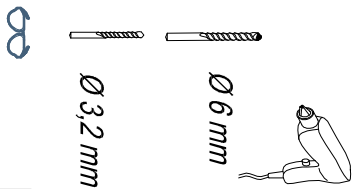
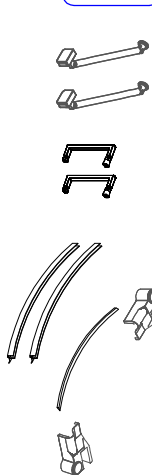
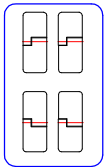


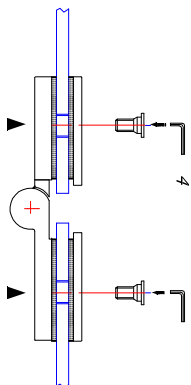
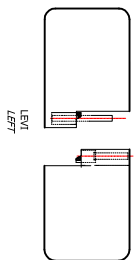
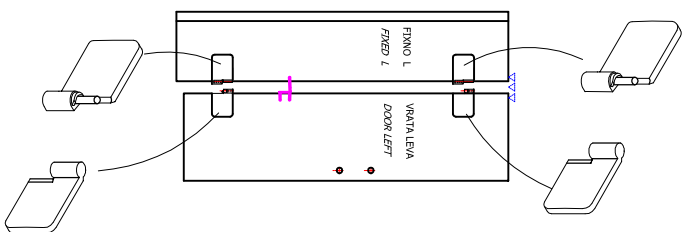
TKP 90	880-890	2000	720
TKP 100	980-990	2000	720



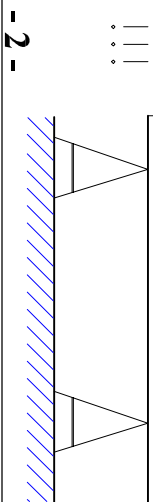
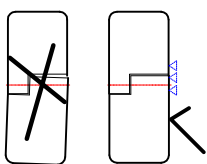
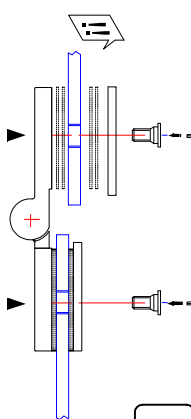
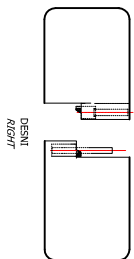
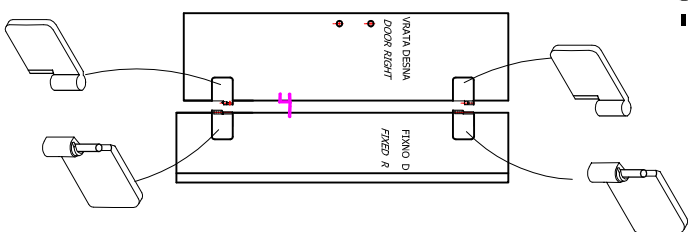
- 6 kom 4 x 10
- 8 kom 4 x 40



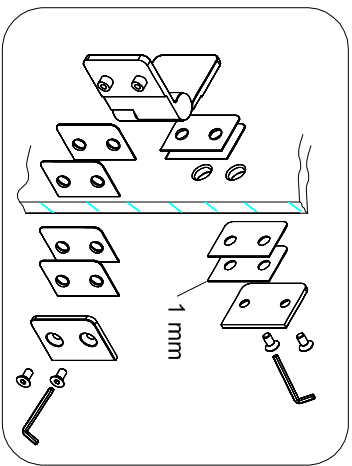
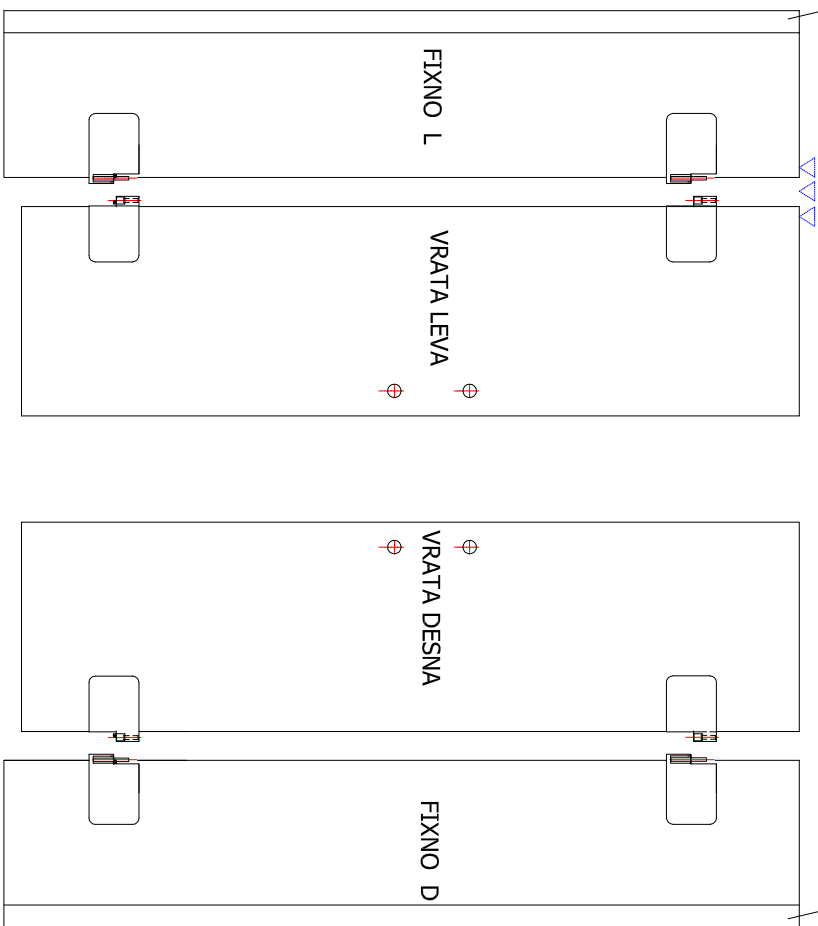
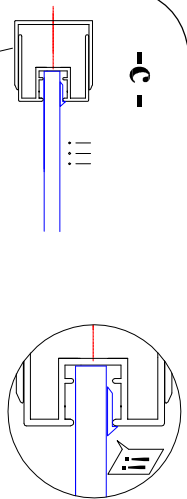
-a-



-b-

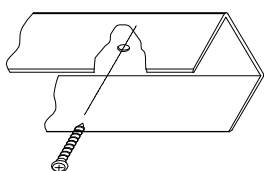
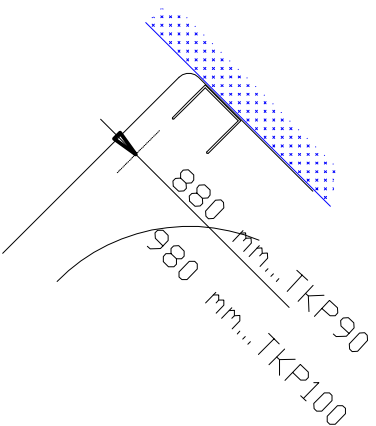
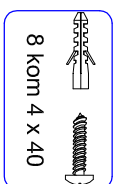
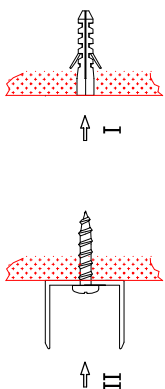
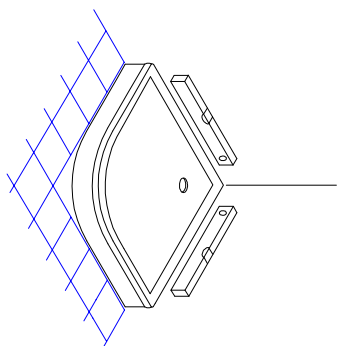


-c-

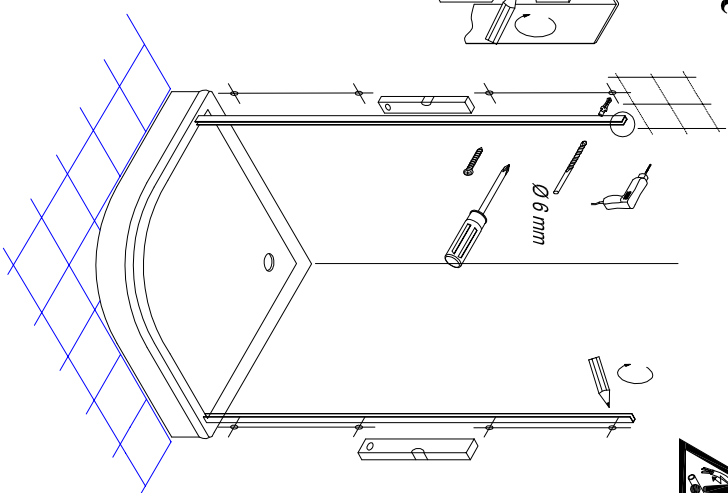
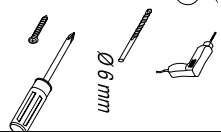
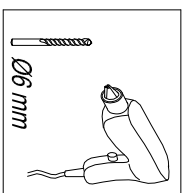
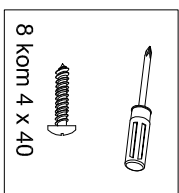
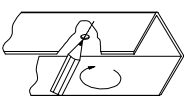


-3-

-d-

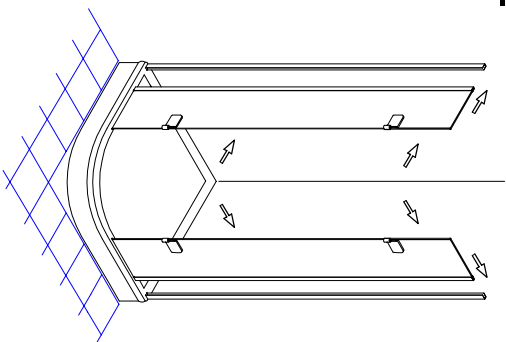


-e-

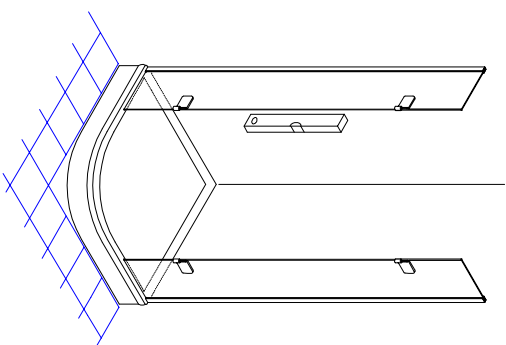
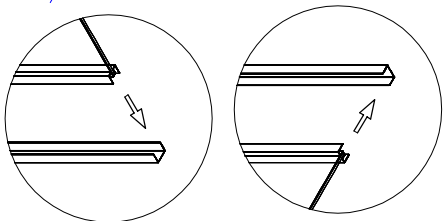


-4-

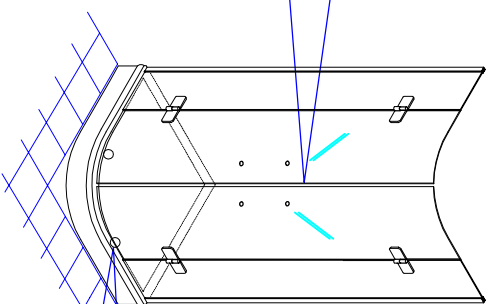
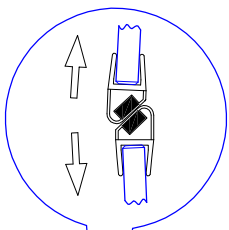
-f-



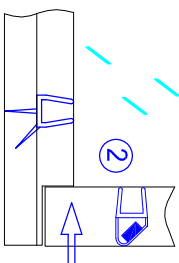
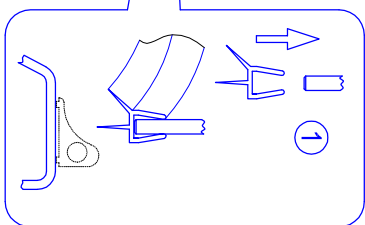
-g-



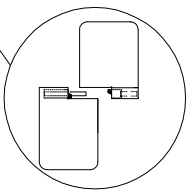
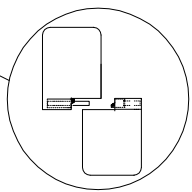
-j-



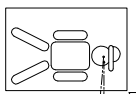
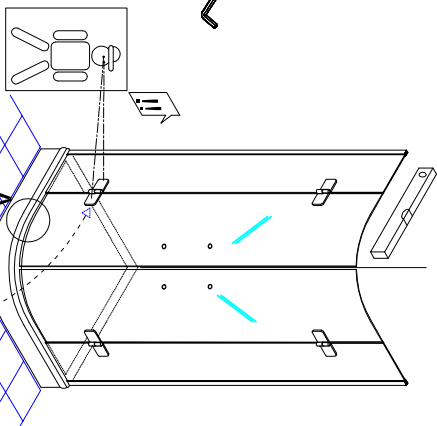
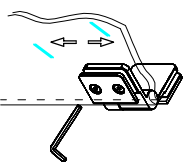
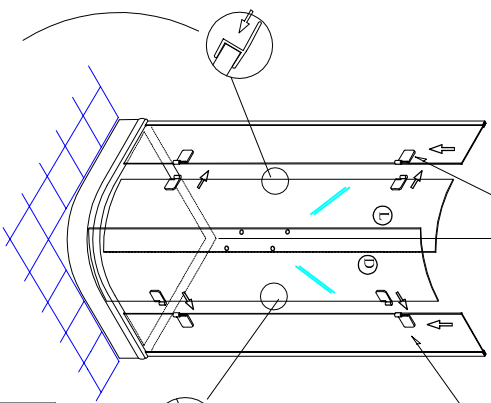
L: D



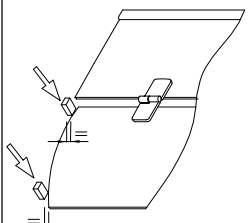
-h-



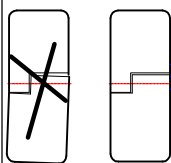
-i-



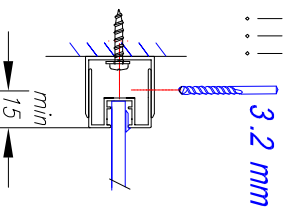
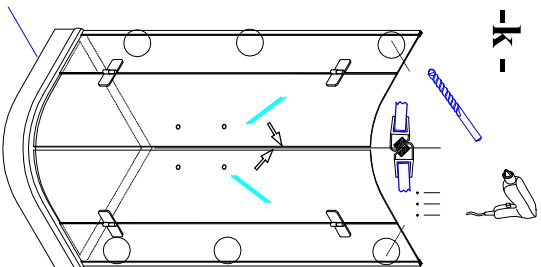
-5-



A

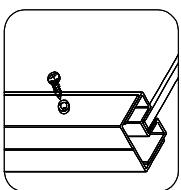
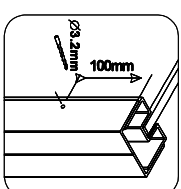
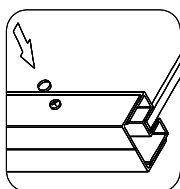


-k-



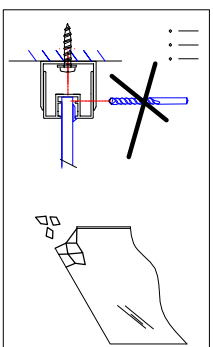
3.2 mm

15

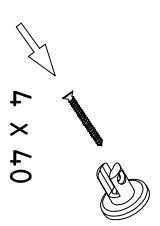
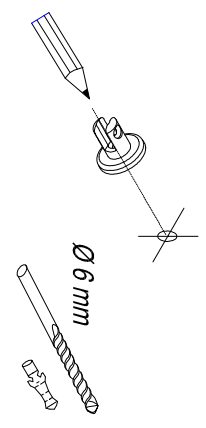
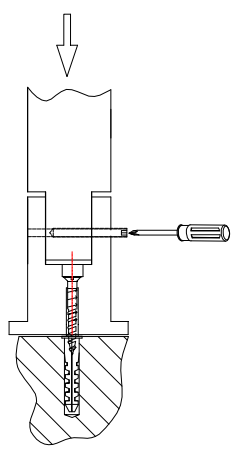
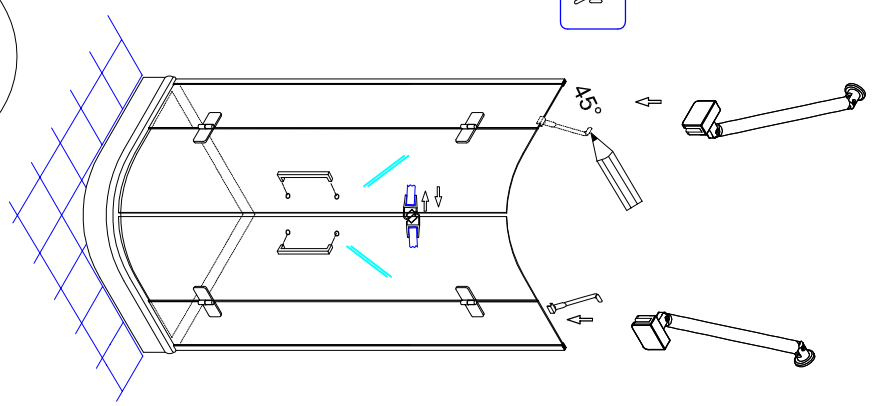
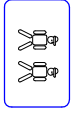


3 x 4 x 10

-6-

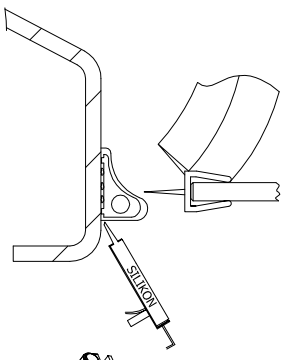
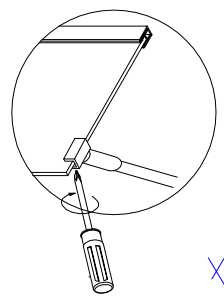


-1-

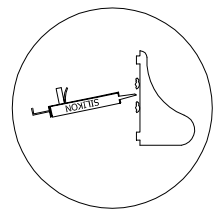


-m-

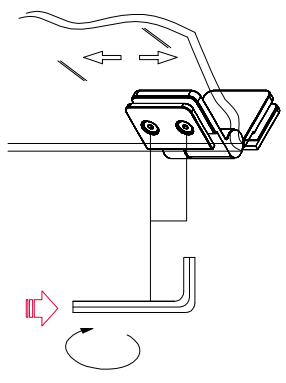
silikon



-7-

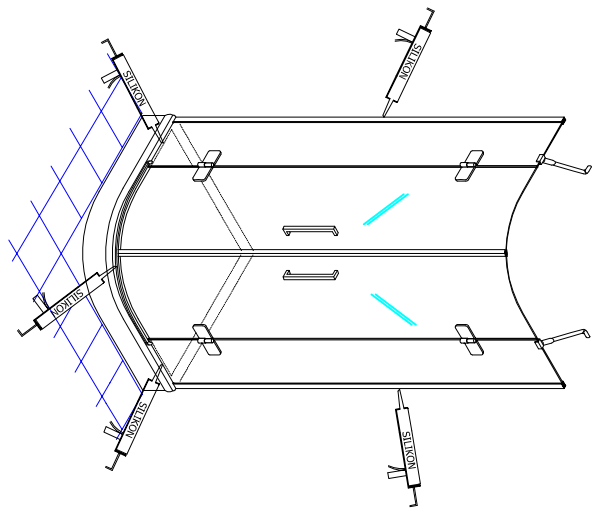
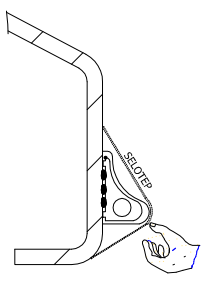
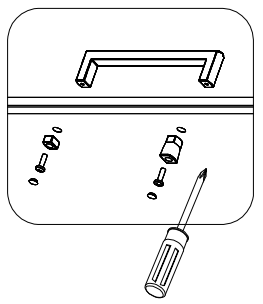


-n-

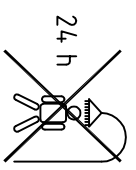


10 NM

4 x

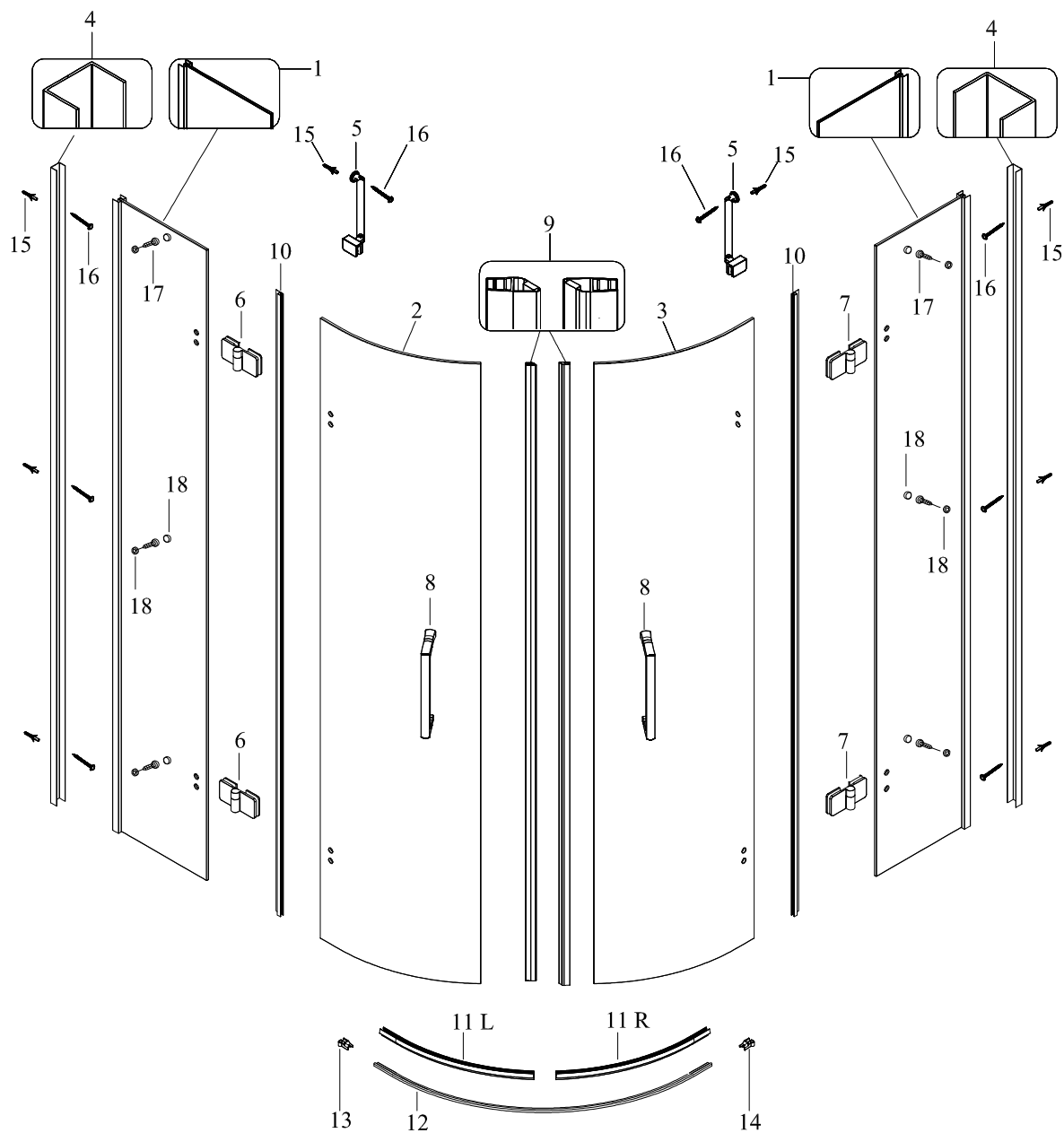


-8-



Shema pozicij Assembly Drawing

TKP ATLAS



1		x2	2		x1	3		x1	4		x2	5		x2
6		x2	7		x2	8		x2	9		x2	10		x2
11		x2	12		x2	13		x1	14		x1	15		x8
16		4x30 x8	17		4x10 x6	18		x6	19					