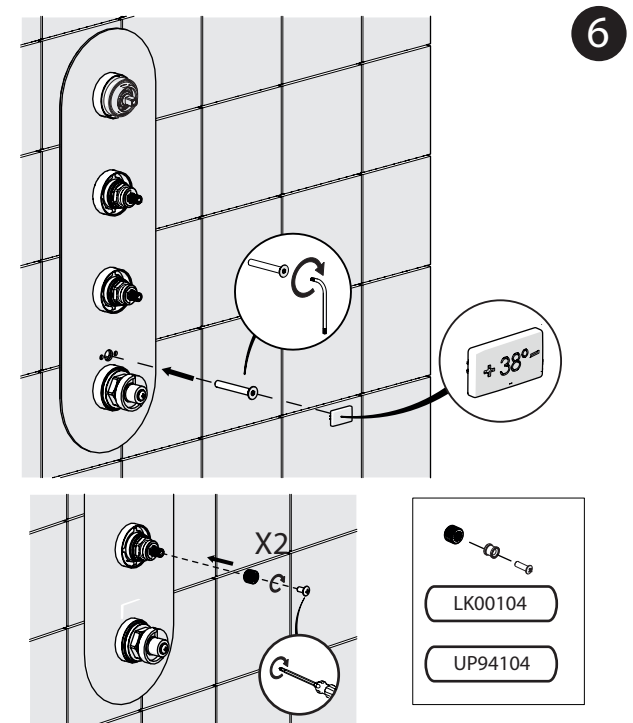
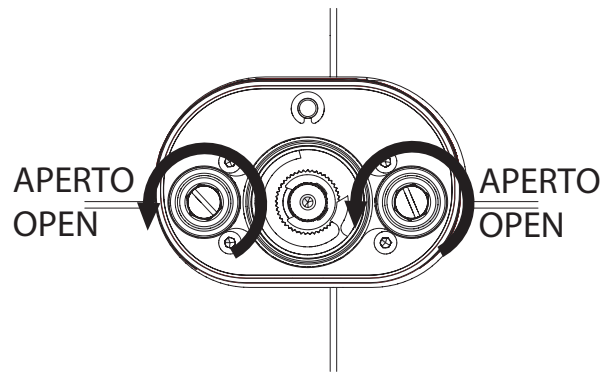
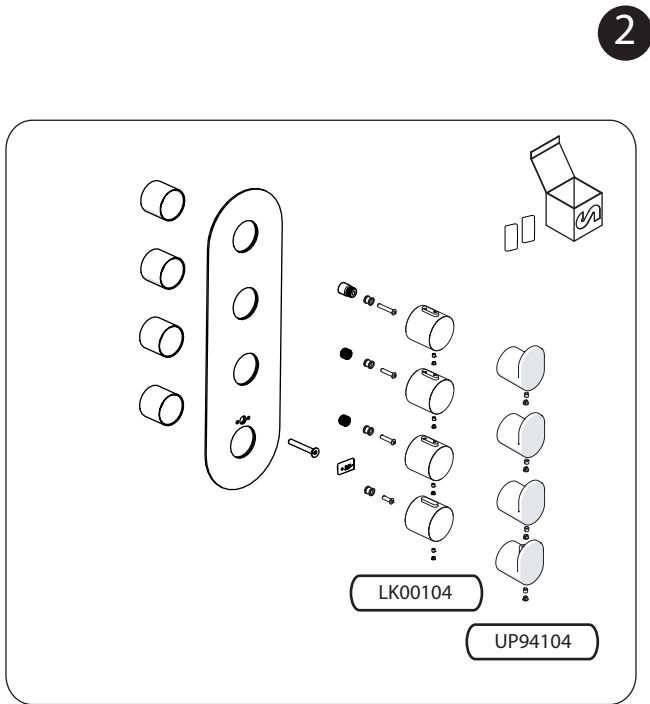
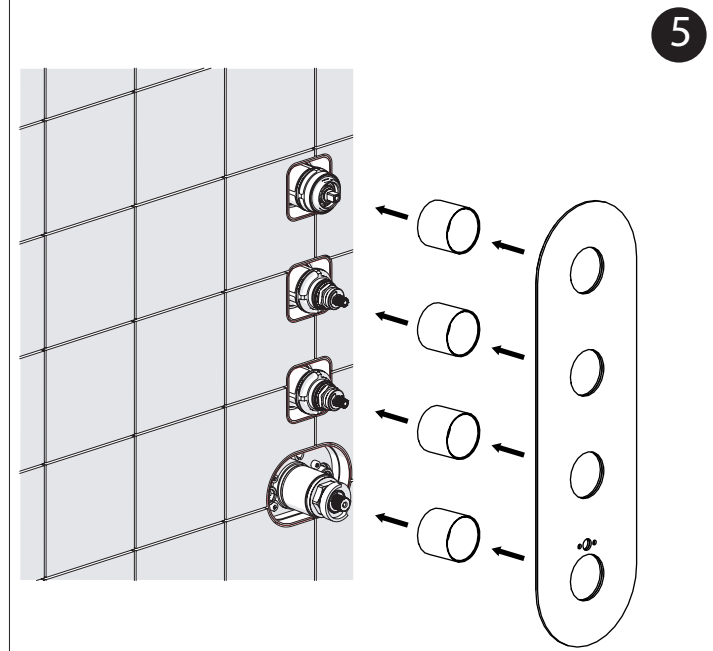
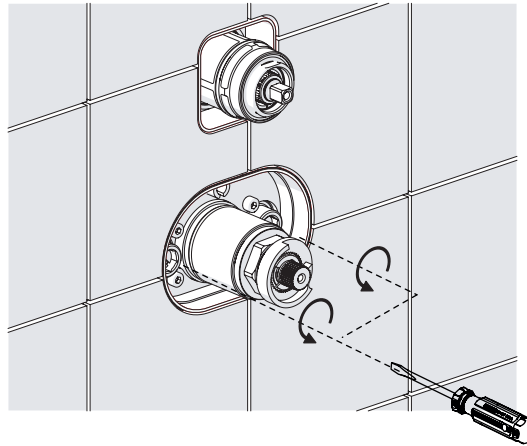
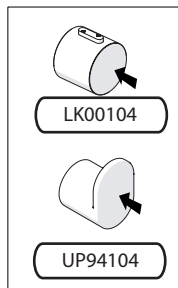
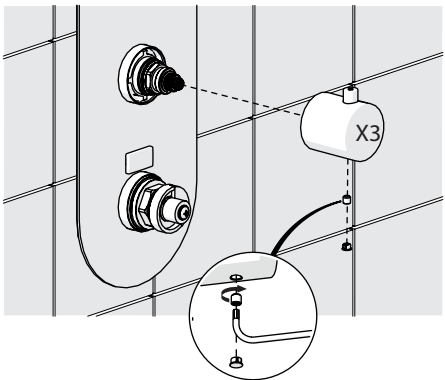
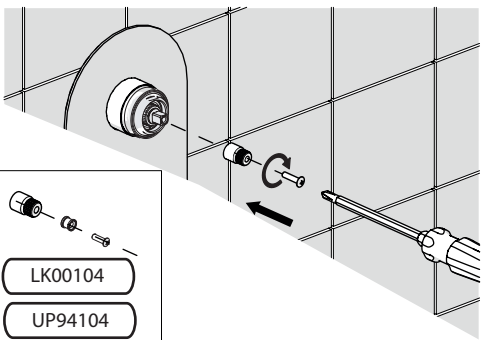


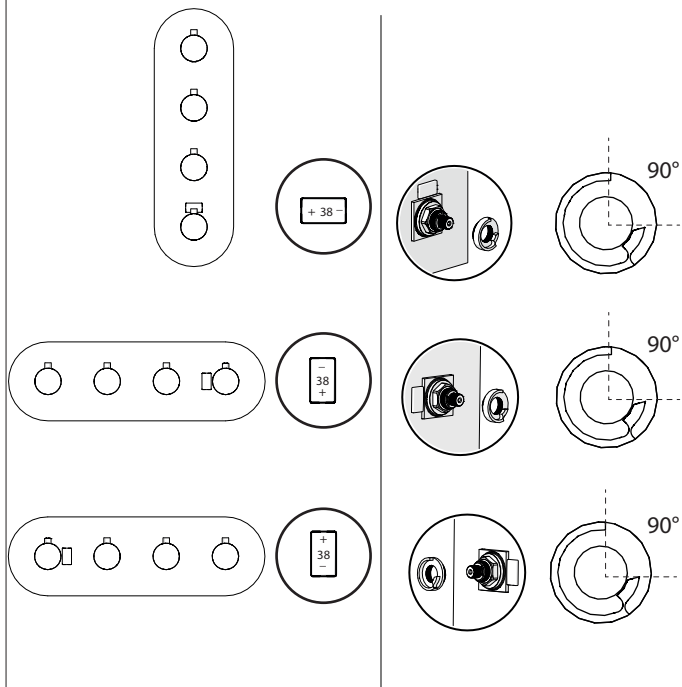
REF.  
MANUAL  
WE00104



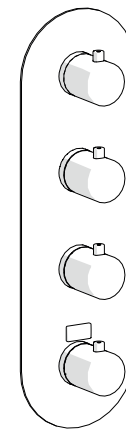
7



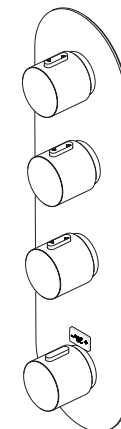
9



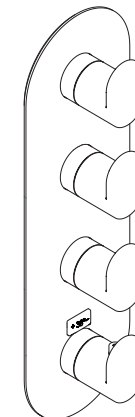
**NOBILIS**  
The Best Technology for Water



WE00104/T



LK00104



UP94104

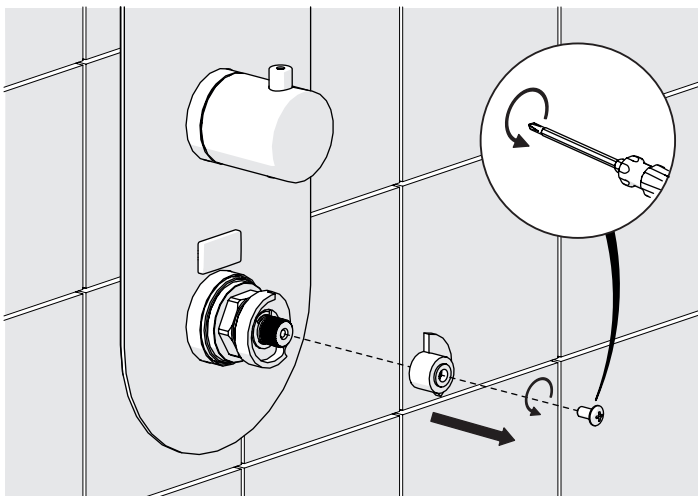
IISTR00104/T#--STD



[www.grupponobili.it](http://www.grupponobili.it)

REV02.02/2017

8



10

