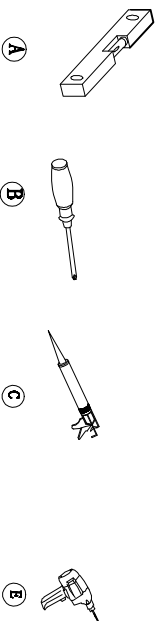
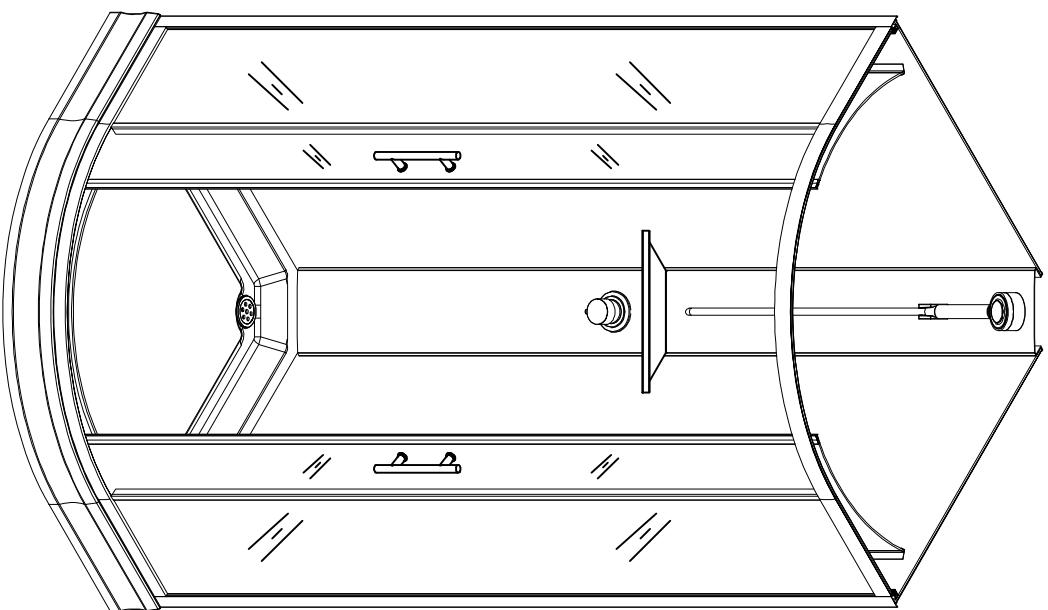
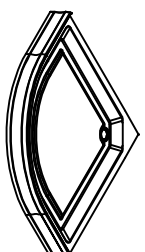


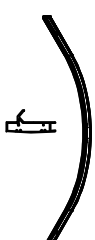
P-505



1/3



[1]×1



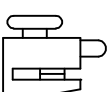
[2]×2



[3]×1



[4]×4



[5]×4



[6]×2



[7]×1

(ST4*10)
[8]×14

(ST4*13)
[9]×12

(ST4*30)
[10]×8

[11]×1

[12]×4

[13]×2

[14]×1

[15]×1

[16]×1

[17]×1

[18]×1

[19]×4

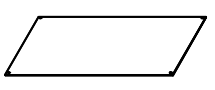
[20]×4

[21]×2

[22]×2

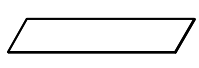
[23]×8

2/3

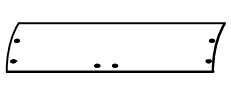


[24] x 2

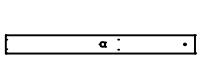
3/3



[25] x 2



[26] x 2



[27] x 1



[28] x 1



[29] x 2



[30] x 2



[31] x 2

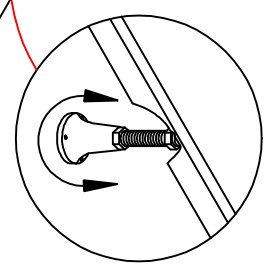
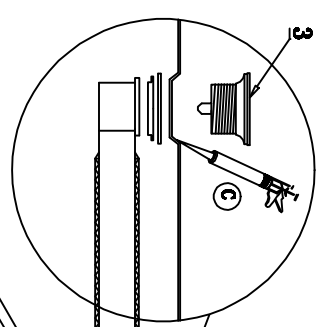


[32] x 4

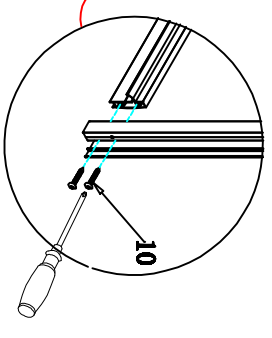
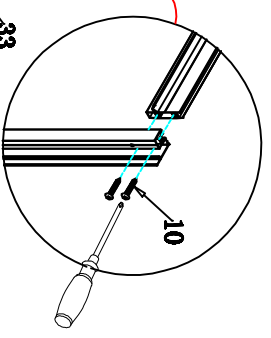
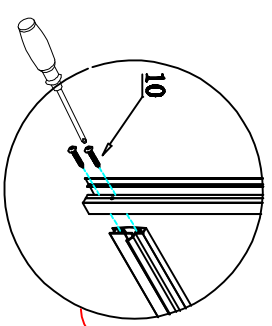
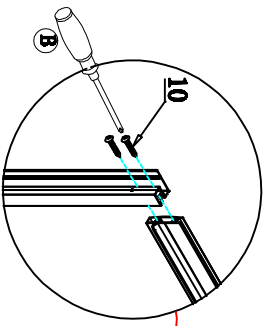


[33] x 2

1:



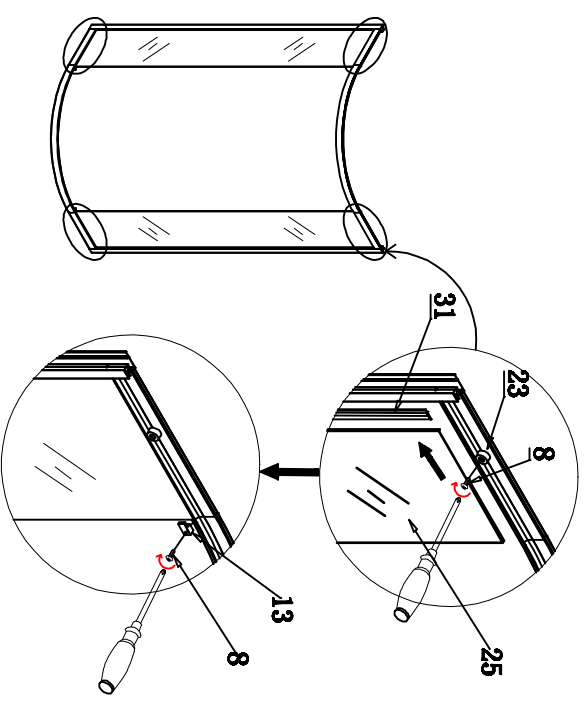
2:



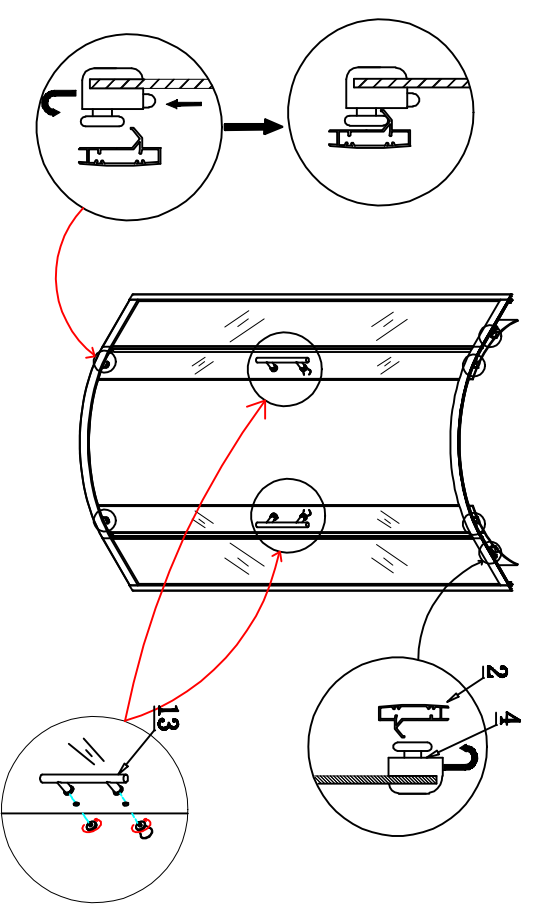
3

2

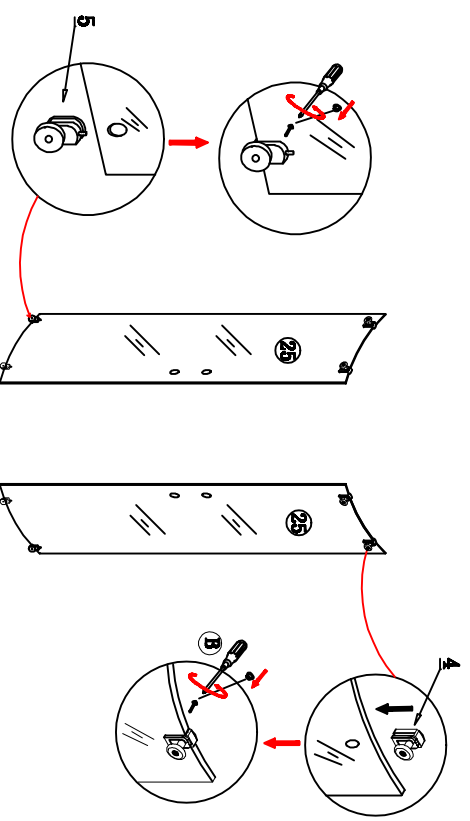
3:



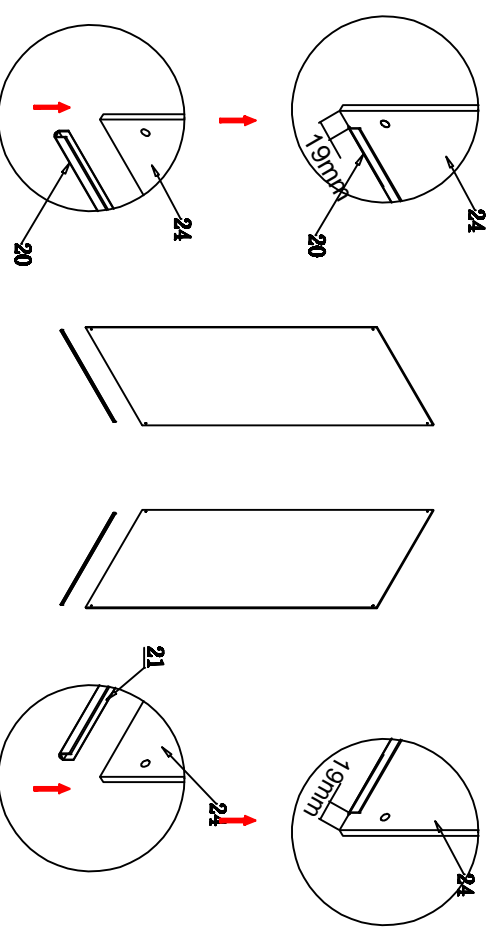
5:



4:



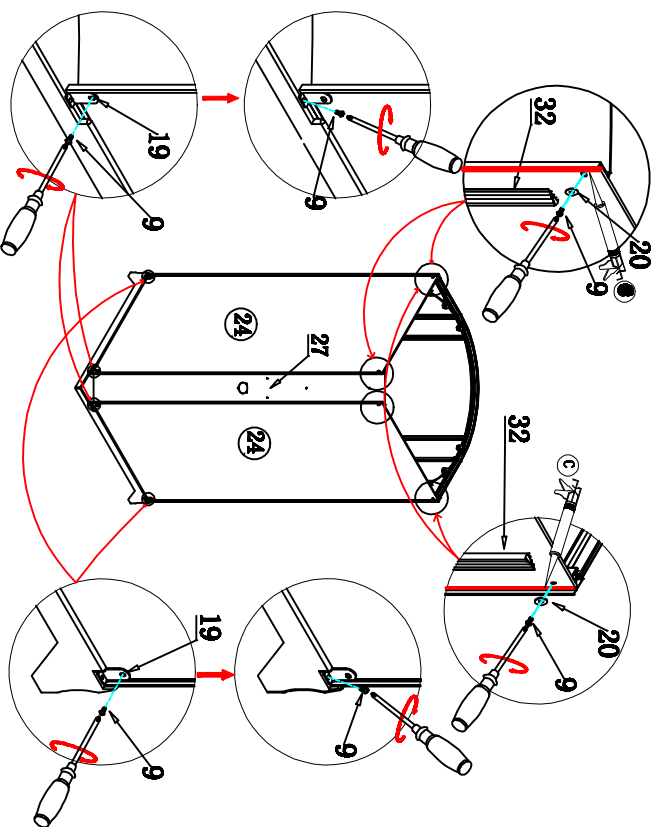
6:



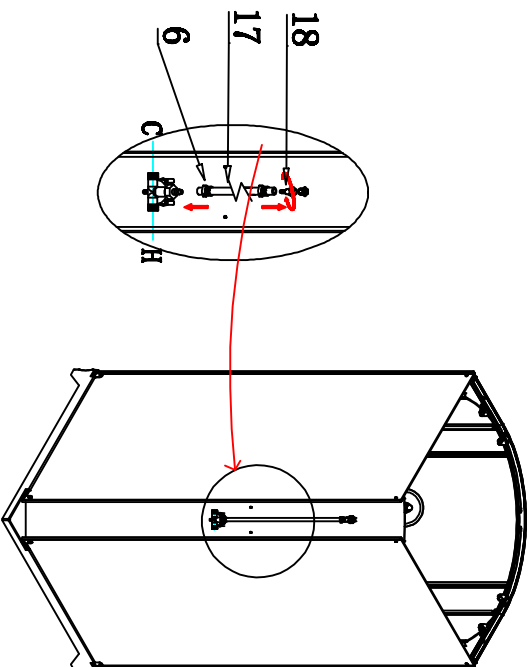
4

5

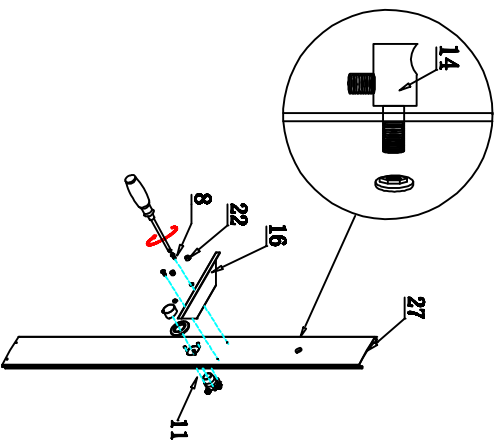
7:



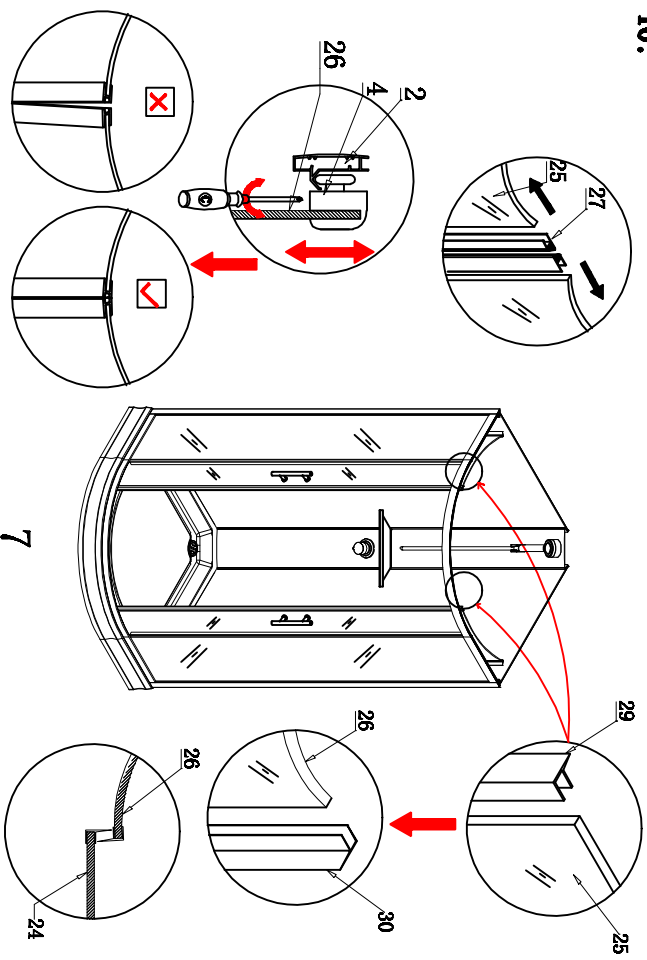
9:



8:



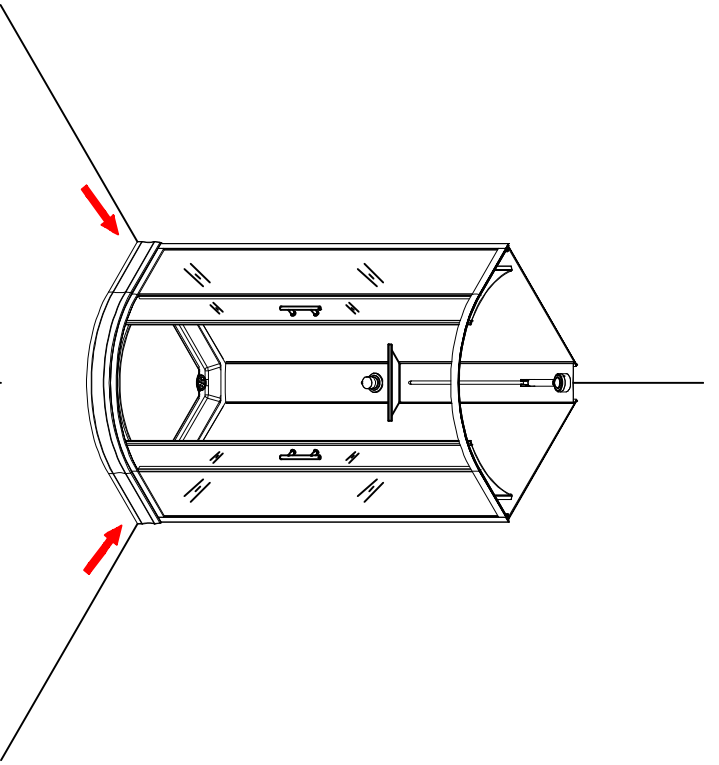
10:



6

7

11:



12:

